

EMI Suppression Filters
for AC Power Lines
MCTL9U Series Standard Winding

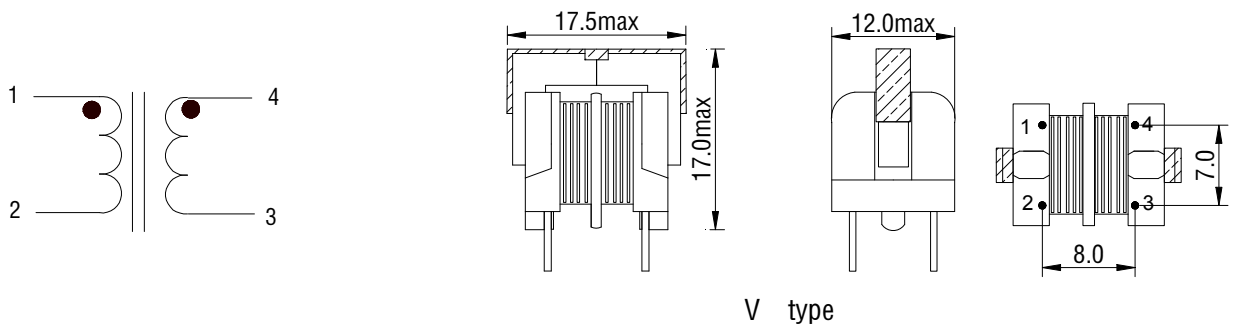
CONTENTS

Outline of EMI suppression Filter for AC Power Lines Common mode Choke coil MCTL9U Series standard winding.

1. Compact and lightweight
2. Low profile in vertical core layout
3. Both a standard winding and a sectional winding for higher frequency noise is available.
4. Rated voltage: 85~265VAC, 50/60Hz
5. Insulation resistance: 100MΩ @500VDC
6. Turns ratio: 1:1±2%
7. Hi-pot: 2500VAC/1mA/60Sec
8. Testing frequency: 1KHz/0.25V
9. Operating temperature: -40°C~+105°C

Typical electrical parameter

| MCT Part No. | MCT Part No. | Inductance(mH) min | DC Resistance(Ω) max | Rated Current(A) |
|---------------|---------------|--------------------|----------------------|------------------|
| MCTL9U333A01V | MCTL9U333A01H | 33.0 | 13.5 | 0.1 |
| MCTL9U103A02V | MCTL9U103A02H | 10.0 | 4.2 | 0.2 |
| MCTL9U602A03V | MCTL9U602A03H | 6.0 | 2.2 | 0.3 |
| MCTL9U352A04V | MCTL9U352A04H | 3.5 | 1.3 | 0.4 |
| MCTL9U252A05V | MCTL9U252A05H | 2.5 | 1.0 | 0.5 |
| MCTL9U152A06V | MCTL9U152A06H | 1.5 | 0.6 | 0.6 |
| MCTL9U102A07V | MCTL9U102A07H | 1.0 | 0.4 | 0.7 |
| MCTL9U801A08V | MCTL9U801A08H | 0.8 | 0.32 | 0.8 |
| MCTL9U701A09V | MCTL9U701A09H | 0.7 | 0.28 | 0.9 |
| MCTL9U501A10V | MCTL9U501A10H | 0.5 | 0.22 | 1.0 |



Welcome custom.

Dimension in mm

Tolerance: ±0.03

